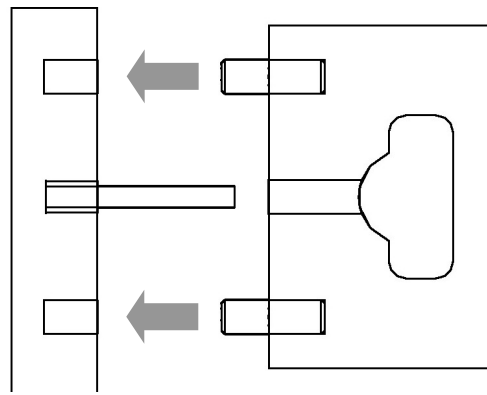


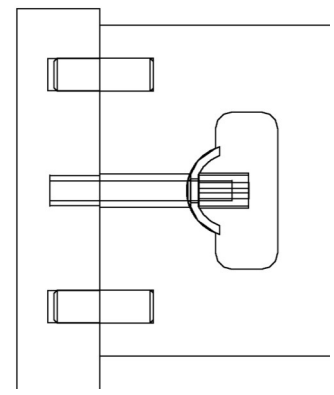
Step 1

Screw the threaded stud into the insert until it stops.



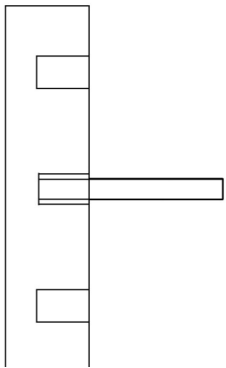
Step 2

Slide the rail over the threaded stud and into mating holes for dowels in the bed post.



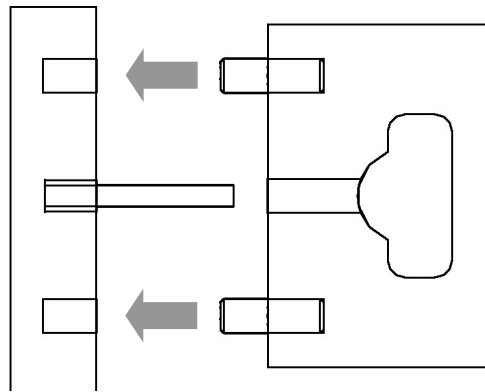
Step 3

Place the nut on the threaded stud and slide the washer in place as shown. Tighten the nut with the provided wrench.



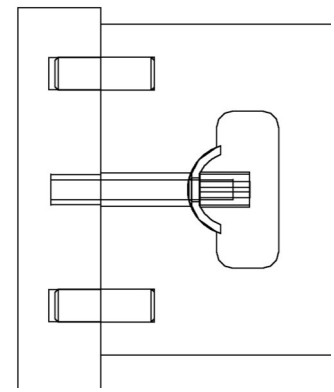
Step 1

Screw the threaded stud into the insert until it stops.



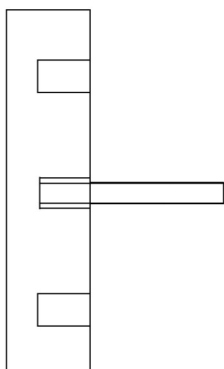
Step 2

Slide the rail over the threaded stud and into mating holes for dowels in the bed post.



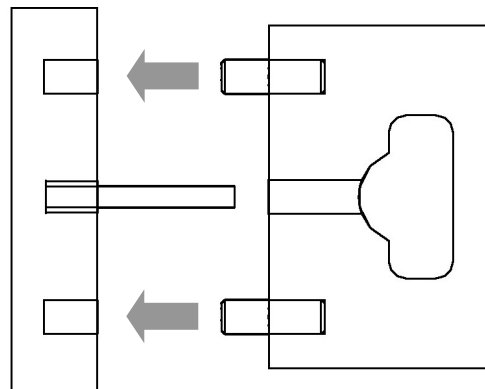
Step 3

Place the nut on the threaded stud and slide the washer in place as shown. Tighten the nut with the provided wrench.



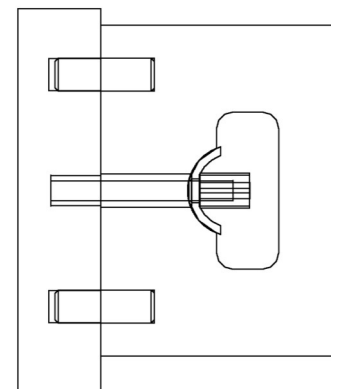
Step 1

Screw the threaded stud into the insert until it stops.



Step 2

Slide the rail over the threaded stud and into mating holes for dowels in the bed post.



Step 3

Place the nut on the threaded stud and slide the washer in place as shown. Tighten the nut with the provided wrench.