

# Instructions for Linn Shelf Nightstand

Please identify the listed items before installation.

## Hardware included:

- #6 – 3/4" Flathead Wood screws(4/8)
- 1/4 - 20 x 20mm hex bolts (4)
- Allen wrench (1)

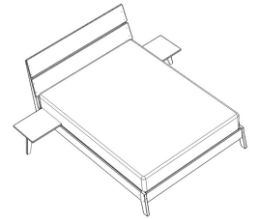
## Components included:

- Shelf (1)
- Leg Assembly (1)

Shelf nightstand can be configured in three forms: left and right nightstands, left nightstand only, or right nightstand only.

Linn bed with Shelf Nightstand(s)

- King
- Queen
- Cal King



Tools required | Allen wrench



## Step 1: Mount Leg Assembly to the Shelf

Mount Leg Assembly to the underside of the Shelf by aligning and tightening four hex bolts (provided) (**Figure 1**).

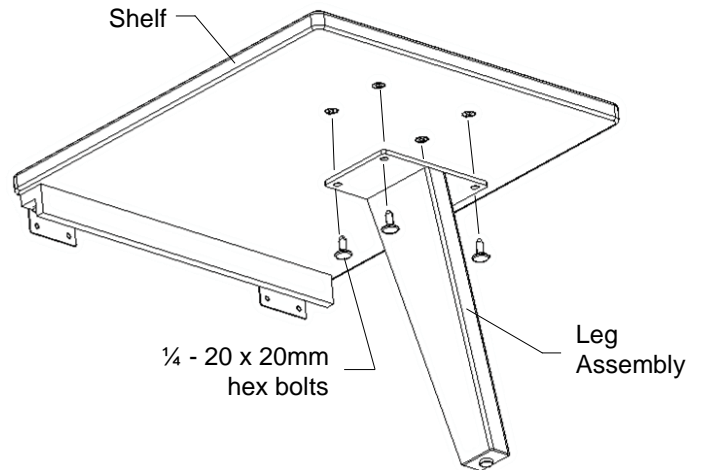
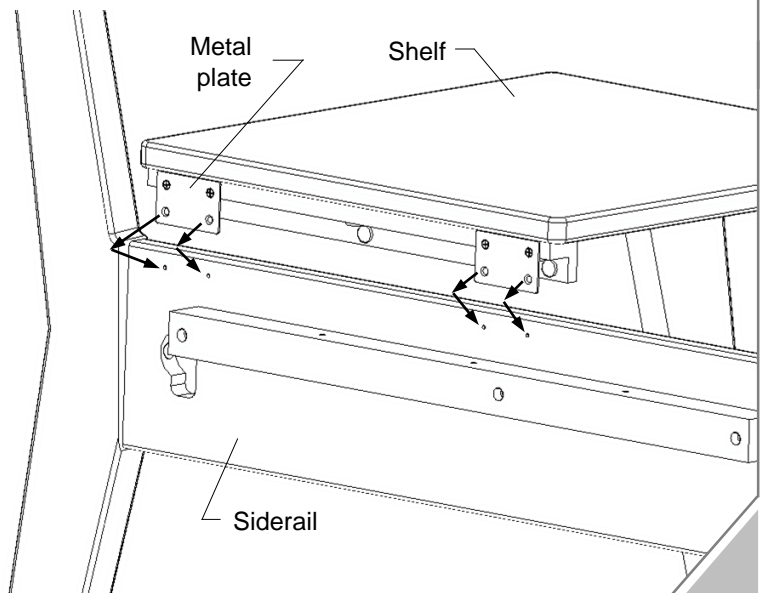


Figure 1. Mount Leg Assembly

## Step 2: Position Shelf Nightstand

Align the holes on the metal plates with the holes on the inner side of siderail. (**Figure 2**).

Figure 2. Align shelf nightstand with siderail



### Step 3: Mount Shelf Nightstand to Siderail

Using a Philips head Screwdriver or screw gun, attach the Nightstand with the 4 #6 – ¾" long Flathead Wood screws provided (**Figure 3**). If you ordered another shelf nightstand, please use the same procedure to assemble the nightstand on the other side.

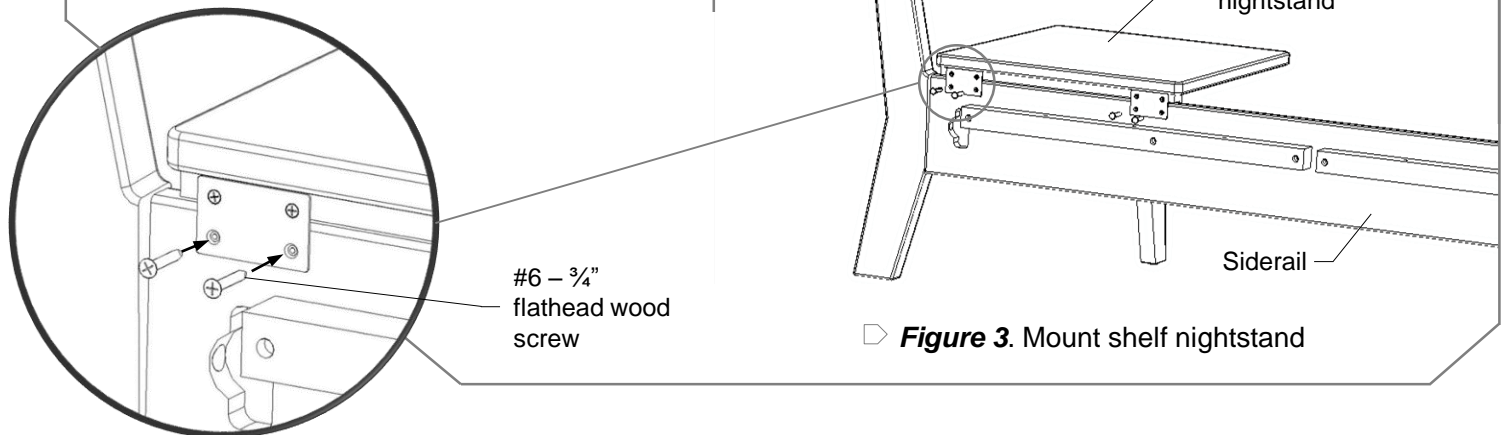


Figure 3. Mount shelf nightstand

## Care Instructions

To care for and preserve the finish on your new Copeland Furniture piece, please keep the following recommendations in mind.

- While our furniture has been finished with a durable top coat, the surface may be sensitive to dents and abrasions during the first 30 days in your home.
- Treat the surface finish gently so it does not dent or chip. Tape or stickers should not be put on the finish.
- For general care use a soft cloth to dust the furniture.
- Use damp cloth with a mild soap to clean-up spills or dirt. Dry the surface thoroughly.
- Please do not use any polishes, waxes or solvents to clean the surface of the furniture. This holds true for new Copeland Furniture pieces as well as items you may already have in your home.
- Please do not place any candles directly on the surface of your furniture. The perfumes and dyes in the candles may penetrate the finish.
- Beds must be disassembled before moving to avoid damage. Never attempt to move the bed while it is assembled.

**copeland**  
FURNITURE